



SHRIRAM PISTONS & RINGS

MD: TS: 16/NOV'23 INTRODUCTION CIRCULAR – EICHER 24 HP – PA KIT

USHA is pleased to launch 'Eicher 24 HP' PA kit in its aftermarket Tractor product range.






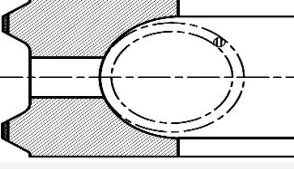
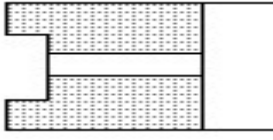
Technical details of 'Eicher 24HP' Piston and Ring set are as under:

Piston:

Technical Data – Piston		USHA Code → 404
Nominal Bore Diameter		115.000
Piston Diameter		114.865
Piston to Liner Clearance		00.135
Compression Height		87.50
Total Height		165.00
Gudgeon Pin OD X Length		40.00 X 93.00

All dimensions are in 'mm'

Piston Rings:

TECHNICAL DATA – 'HTCR' Rings						
Ring	Ring Configuration	Axial Thickness (mm)	Closed Gap		Surface Treatment	Cross Section
			(mm)	(Thou)		
Top-1	CR	4.00	0.40-0.60	16-24	Chrome Plating	
Top-2	IB	4.00	0.40-0.60	16-24	-	
Top-3	N	4.00	0.40-0.60	16-24	-	
Oil	HTCR	6.00	0.30-0.50	12-20	Chrome Plating	
Oil	SOC	6.00	0.30-0.50	12-20	-	

Cylinder Liner:

Cylinder liner is made up from Cast Iron material using latest Centrifugal casting process having superior surface finish for better performance, minimum oil consumption, blow-by & friction etc.



Technical Product News is an exclusive update of product & information from
 Shriram Pistons & Rings Ltd., 3rd Floor, Himalaya House, 23, Kasturba Gandhi Marg, New Delhi-110001
 Tel: 011-46451100, 23315941, Email: tss@shrirampistons.com, Website: www.shrirampistons.com