



# SHRIRAM PISTONS & RINGS

MD: TS: 17/NOV'23

INTRODUCTION CIRCULAR – **EICHER 24 HP 'OPEN CAVITY' – PA KIT**

USHA is pleased to launch **Eicher 24 HP 'Open Cavity'** PA kit in its aftermarket Tractor product range.






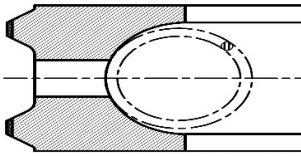

Technical details of '**Eicher 24 HP O/C**' Piston and Ring set are as under:

### Piston:

Technical Data – Piston		USHA Code → 406
Nominal Bore Diameter		115.00
Piston Diameter		114.865
Piston to Liner Clearance		0.135
Compression Height		87.50
Total Height		165.00
Gudgeon Pin OD X Length		40.00 X 93.00

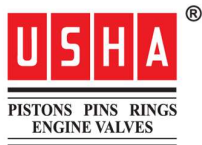
All dimensions are in 'mm'

## Piston Rings:

TECHNICAL DATA – 'HTCR' Rings						
Ring	Ring Configuration	Axial Thickness (mm)	Closed Gap		Surface Treatment	Cross Section
			(mm)	(Thou)		
Top-1	CR	4.00	0.40-0.60	16-24	Chrome Plating	
Top-2	IB	4.00	0.40-0.60	16-24	-	
Top-3	N	4.00	0.40-0.60	16-24	-	
Oil	HTCR	6.00	0.30-0.50	12-20	Chrome Plating	
Oil	SOC	6.00	0.30-0.50	12-20	-	

## Cylinder Liner:

Cylinder liner is made from Cast Iron material using latest Centrifugal casting process having superior surface finish for better performance, minimum oil consumption, blow-by & friction etc.



Technical Product News is an exclusive update of product & information from  
 Shriram Pistons & Rings Ltd., 3rd Floor, Himalaya House, 23, Kasturba Gandhi Marg, New Delhi-110001  
 Tel: 011-46451100, 23315941, Email: [tss@shrirampistons.com](mailto:tss@shrirampistons.com), Website: [www.shrirampistons.com](http://www.shrirampistons.com)